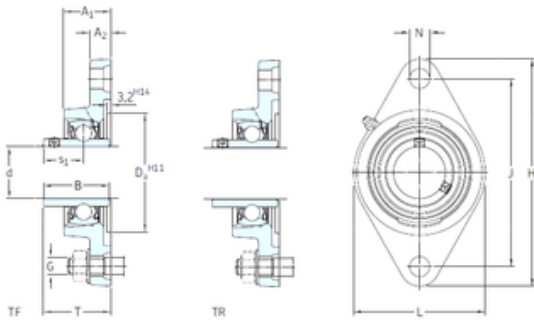


SKF FYTB 50 FM bearing units

Bearing No. FYTB 50 FM



FYTB 50 FM Bearing 2D drawings and 3D CAD models

Bore Diameter	50 mm
d	50 mm
Da	101,6 mm
s1	32,7 mm
A1	43 mm
B1	43,7 mm
G	16 mm
H	189 mm
J	157 mm
L	116 mm
N	18 mm
T	60,7 mm
A2	15 mm
Weight	2,2 Kg
Basic dynamic load rating (C)	35,1 kN
Basic static load rating (C0)	23,2 kN
Fatigue load limit (Pu)	0,98
Category	Flange Block Bearings
Inventory	0.0
Manufacturer Name	SKF
Minimum Buy Quantity	N/A
Weight / Kilogram	2.2
EAN	7316577031839
Product Group	M06110
Number of Mounting Holes	2
Mounting Method	Eccentric Collar



SIGMA BEARING AND Machinery Co.,Ltd

Housing Style	2 Bolt Flange Block
Rolling Element	Ball Bearing
Housing Material	Cast Iron
Expansion / Non-expansion	Non-expansion
Mounting Bolts	16 Millimeter
Relubricatable	Yes
Insert Part Number	YET 210
Seals	M Seal
Housing Configuration	1 Piece Solid
Pilot Configuration	No Pilot
Inch - Metric	Metric
Long Description	2 Bolt Flange Block; 50MM Bore; 157MM Bolt Circle; 157MM Bolt Spacing; 1 Piece Solid; Eccentric Collar Mount; Cast Iron; Ball Bearing; 43.7MM Length Thru Bore; Relubricatable; M Seal Seals
Other Features	Single Row Standard Duty Narrow Inner Race Open End Y Bearing
Category	Flange Block
UNSPSC	31171501
Harmonized Tariff Code	8483.20.40.40
Noun	Bearing
Keyword String	Flanged
Manufacturer URL	http://www.skf.com
Manufacturer Item Number	FYTB 50 FM
Weight / LBS	4.85
Bore	1.969 Inch 50 Millimeter
Nominal Bolt Circle Diameter Round	6.2 Inch 157 Millimeter
Cartridge Pilot Diameter	0 Inch 0 Millimeter
Length Thru Bore	1.72 Inch 43.7 Millimeter



SIGMA BEARING AND Machinery Co.,Ltd

Cartridge Pilot Depth	0 Inch 0 Millimeter
Bolt Spacing	6.181 Inch 157 Millimeter
bore diameter:	50 mm
radial static load capacity:	23.2 kN
bolt center-to-center length:	157 mm
seal type:	Contact with Flinger
overall length/diameter:	116 mm
length through bore:	60.7 mm
bore type:	Round
finish/coating:	Uncoated
mounting type:	Two-Bolt Flange
maximum rpm:	4000 RPM
housing material:	Cast Iron
lubrication type:	Lubrication Fitting
locking device:	Eccentric Collar
series:	FYTB
expansion type:	Non-Expansion Bearing (Fixed)
replacement bearing:	YET 210
radial dynamic load capacity:	35.1 kN
manufacturer upc number:	7316577031839
Housing material	Cast iron
D_a	101.6 mm
D_{b1}	107 mm
D_{b2}	116 mm
A	43 mm
A_1	15 mm
A_3	3.2 mm
A_5	29.5 mm
B_1	43.7 mm
B_4	6.75 mm
s_1	32.7 mm



SIGMA BEARING AND Machinery Co.,Ltd

R_G	1/4-28 UNF
R_1	28.5 mm
R	45 °
D_N	6.5 mm
SW_N	7 mm
G_N	1/4-28 SAE-LT
J_6	127 mm
J_7	20 mm
N_4	2 mm
Basic dynamic load rating C	35.1 kN
Basic static load rating C_0	23.2 kN
Fatigue load limit P_u	0.98 kN
Limiting speed	4000 r/min
Mass bearing unit	2 kg
Thread grub screw G_2	M10x1
Hexagonal key size for grub screw N	5 mm
Recommended tightening torque for grub screw	16.5 N · m
Recommended diameter for attachment bolts, mm G	16 mm
Recommended diameter for attachment bolts, inch G	0.625 in
Housing	FYTB 510 M
Bearing	YET 210
End cover	ECY 210